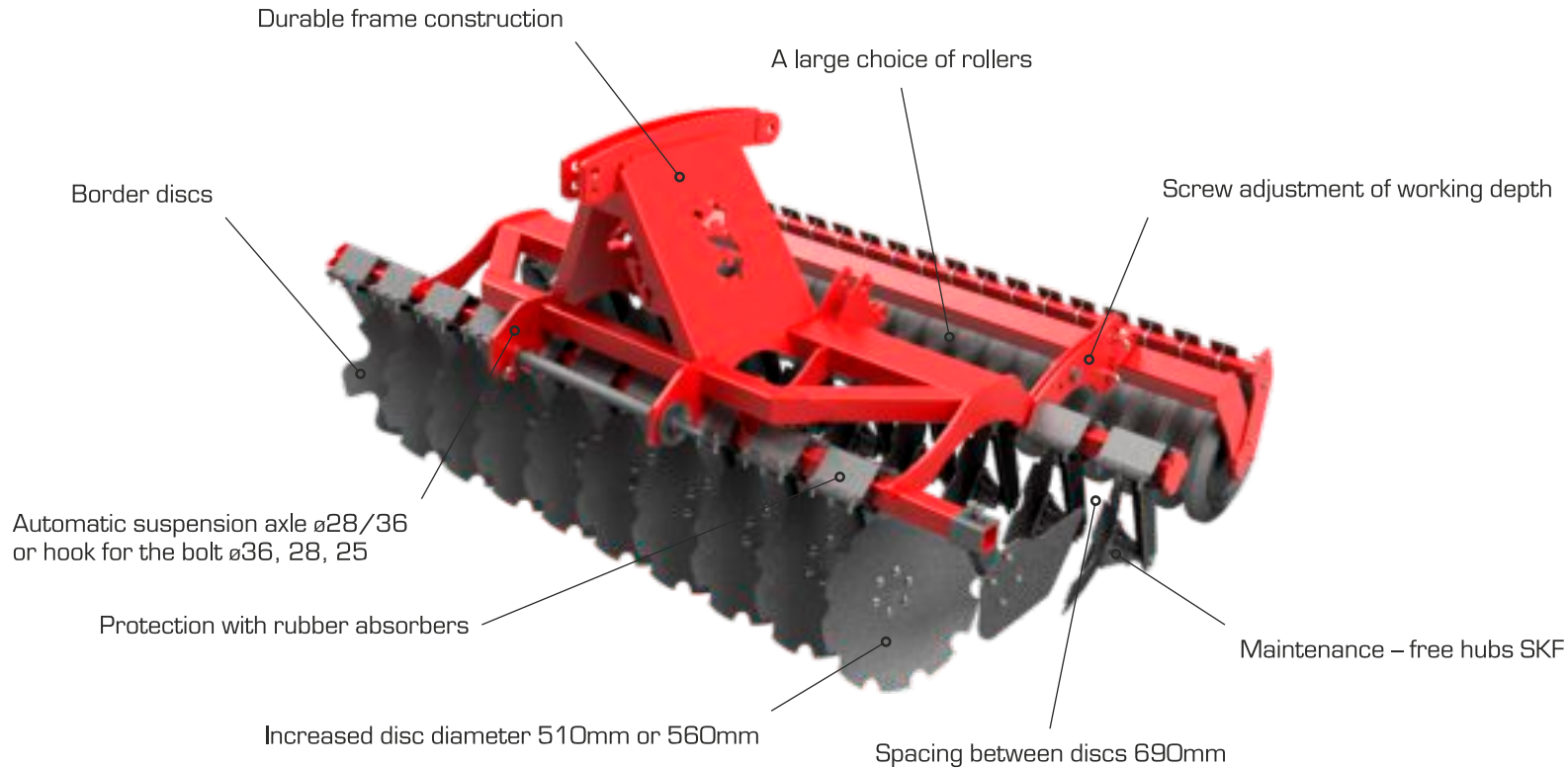


DISC HARROWS

Disc Cultivator is dedicated to small and middle farms where low-power tractor are available. An important feature of the machine is short and tall construction. A disc harrow is distinguished by the discs mounted in the rubber protection. The machine copies a field's surface very good and intensively mixes the soil with a crop residues.



BT

Model	BT18	BT20	BT25	BT27	BT30	BT40
Width [m]	1,8	2,0	2,5	2,7	3,0	4,0
Discs [pcs.]	14	16	20	20	24	32
Power requirement [hp]	30 - 60	50 - 70	70 - 110	80 - 120	100 - 130	110 - 150
Weight [kg]	500	600	1150	1200	1400	1700
Efficiency [ha/h]	0,8 – 1,2	1,0 – 1,6	1,8 – 2,6	1,8 – 2,6	2,0 – 3,0	2,8 – 3,8